

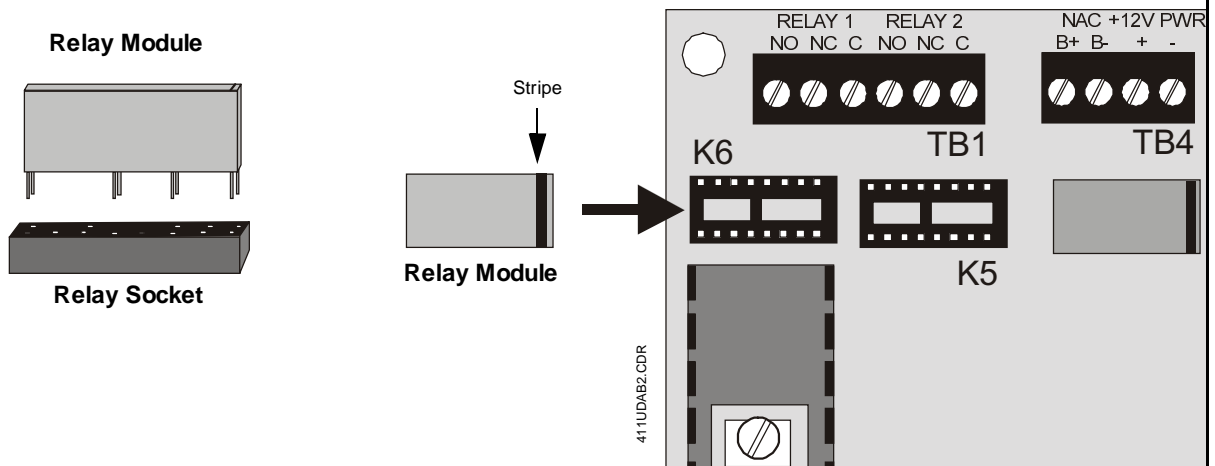
# 411UDAC Option Relays Product Installation Drawing

Document #51128 Rev. A 12/18/98 ECN 98-582

### Installation:

The 411UDAC provides sockets for two optional Form-C relays (P/N:411RK) rated for 2.0 amps @ 30 VDC (resistive). Relay 1 must be installed in the main circuit board socket labeled K6 and Relay 2 must be installed in the socket labeled K5.

1. As a safety precaution, it is highly recommended that all power be removed from the main circuit board before installing the optional relays
2. Position the relay module with the stripe to the right as illustrated in Figure 1
3. Carefully align the relay module pins with the socket holes, making certain that the two pins on each end of the relay line up with the two holes at each end of the socket
4. Press the relay firmly into place, being careful not to bend any of the pins



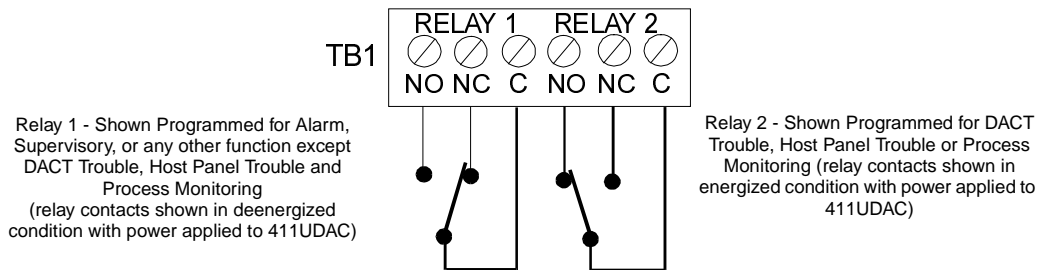
**Figure 1: Relay Installation**

### Programming:

The relays are programmable for activation on fire alarm, host panel trouble, fire supervisory, process monitoring, total communication failure, DACT trouble and security alarm. Refer to the 411UDAC Manual Document #51073, "DACT Programming." Addresses '85 - 88' are used for programming relay functions and enable.

*Note: Relay connections may be power-limited or nonpower-limited, provided that 0.25" spacing is maintained between conductors of power-limited and nonpower-limited circuits.*

Relays automatically change to energized condition when programmed for Trouble.



**Figure 2: Programmable Relay**